

# METAL CEILING

---

**Inno Viva Company Limited**



# METAL CEILING

## ALUMINUM CLIP IN CEILING



### PRODUCT DESCRIPTION

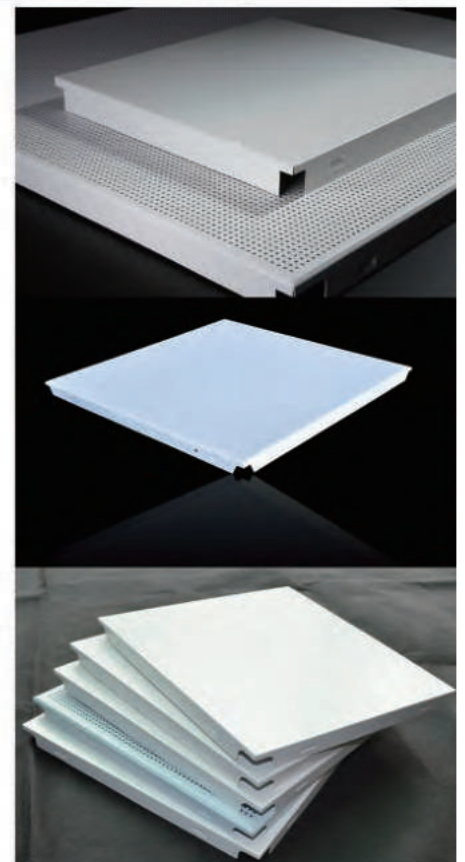
aluminum clip in ceiling offers architects and designers a high degree of creative freedom through its wide range of colours and forms. It is clean and tidy, good for ceiling looking and easy installation, available for many areas.

### PRODUCT SPECIFICATION

- Dimension: 300x300mm, 600x600mm, 300x600mm  
600x1200mm, other sizes can be customized.
- Thickness: 0.5-1.0mm
- Color: RAL9010, RAL9016, RAL9003  
Other color also can be customized.
- Design: Plain ; Perforation
- Treatment: Power Coated, Prepainted, PVDF Coated

### SPECIAL APPLICATIONS

- Kitchens • Laboratories • computer rooms
- Office • Classroom • Shop • Other specific areas







# METAL CEILING

## ALUMINUM CLIP IN CEILING



### TECHNICAL DATA

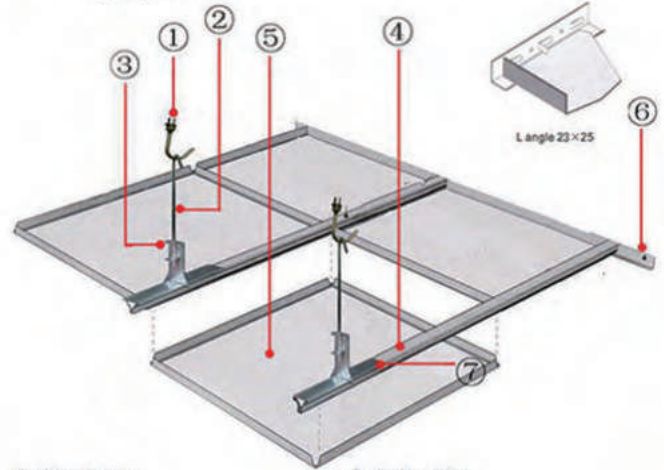
-  Sound Absorption  $\alpha_w$ : Up to 0.45 (L)
-  Sound attenuation D<sub>nfw</sub>/D<sub>ncw</sub> (dB): Up to 44
-  Sound Absorption NRC : Up to 0.55
-  LIGHT REFLECTANCE: Up to 85%
-  Humidity Resistance (RH %): 95%



### INSTALLATION CHART

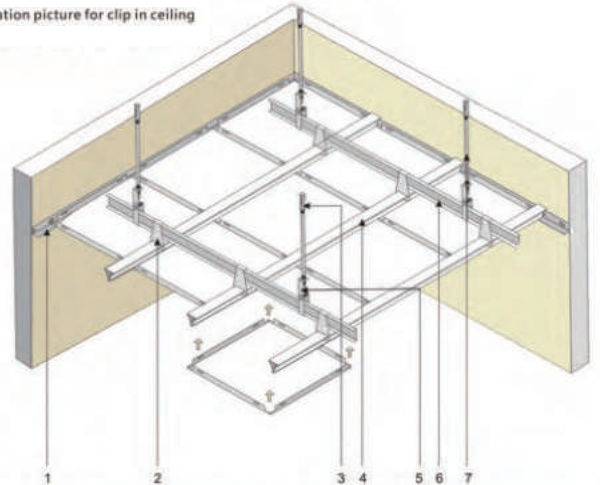
#### Concealed Grid Ceiling

Clip in system



- ① Wire Screw
- ② Thread Rod
- ③ 3# Hanger
- ④ 3# Spring Tee
- ⑤ Ceiling Tile
- ⑥ L Angle
- ⑦ 3# Connector for Spring Tee

Installation picture for clip in ceiling



1	L angle	5	Hanger of 38 main channel
2	Hanger of spring tee	6	38 main channel
3	Expansion screw	7	Thread rod
4	Spring tee		



- a) Supermarket, marketplace
- b) Underground, air port, bus station
- c) Building lobby, metro station
- d) Hotel, restaurant, railway station
- e) School, office, meeting room ,hospital etc .
- f) commercial building

# LAY IN CEILING

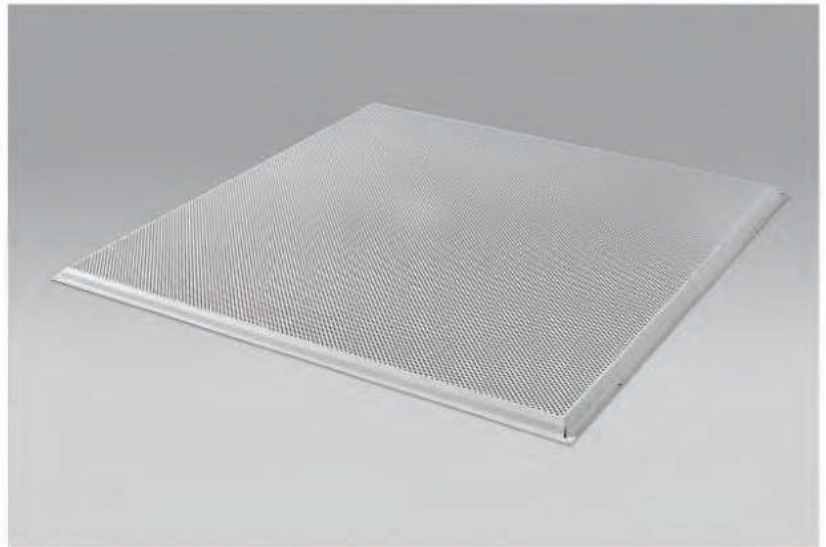
SPECIAL APPLICATIONS

### PRODUCT DESCRIPTION:

Lay-in Grid Ceilings are a lightweight ceiling system available in exposed grid options. They present an attractive pre-finished white ceiling and a range of decorative effects are possible by selecting the desired tile or plank edge profile and finish. Pre-finished tile options include smooth, textured, patterned or perforated effects. Pre-finished plank is available in smooth or perforated options.

### PRODUCT SPECIFICATIONS:

- Thickness: 0.5~1.0 mm
- Color: RAL 9010, RAL 9016, RAL 9003, other color also can be customized.
- Design: Plain ; Perforation (Hole size : 0.8 / 1.8 / 2.3 / 3.0 / 5.0 / 10.0 mm)  
Perf. 1.8 / Plain / Perf. 2.3 / Perf. 0.8
- Surface treatment: Powder Coated, Prepainted, PVDF Coated.



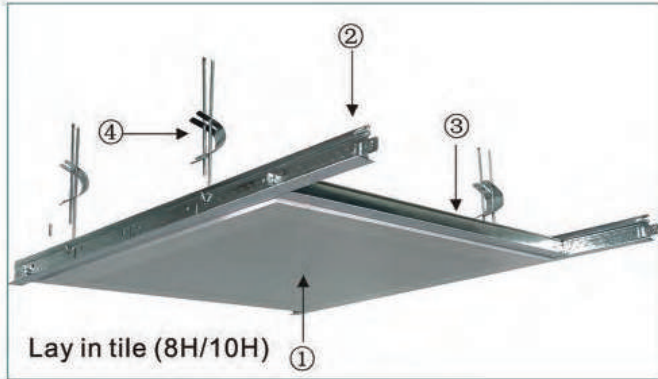
Item NO.	(W, L)	(W, L)	(H)	(T)
FC01	583x583	595x595	8	0.5-1.0
FC02	575x575	595x595	10	
FC03	583x583	605x605	12	
FC04	593x593	605x605		

# METAL CEILING

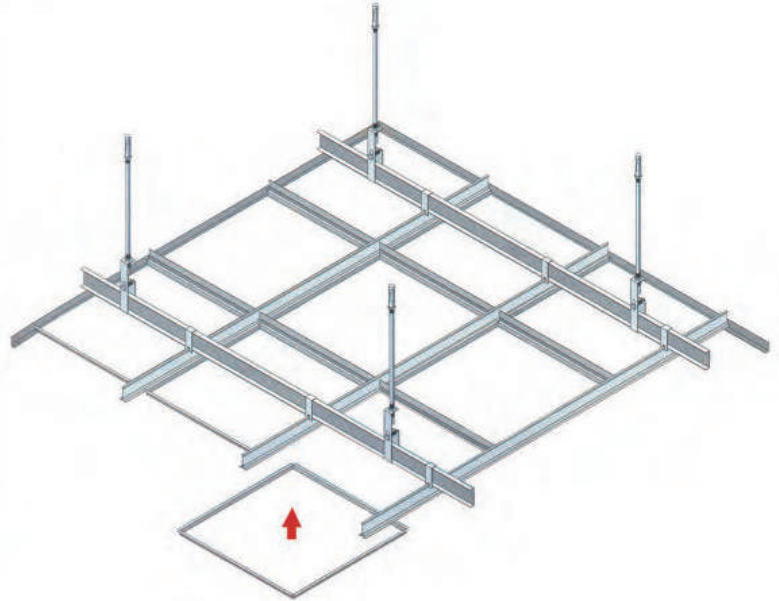
## ALUMINUM LAY IN GRID CEILING



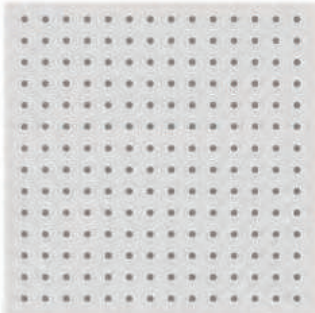
Innoviva



- ① Lay in tile
- ② Main tee
- ③ Cross tee
- ④ Hanger



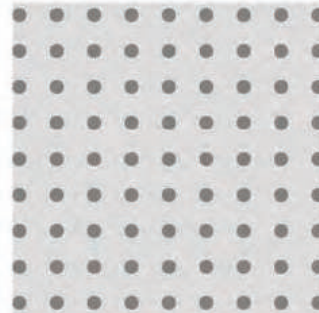
### PERFORATION SIZE



hole size:0.8mm



hole size:1.8mm



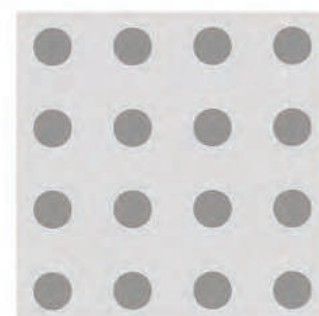
hole size:1.8mm



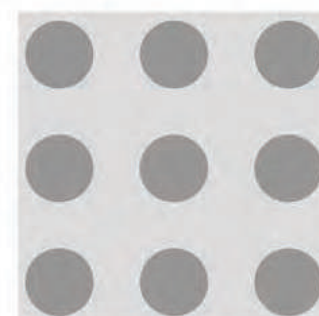
hole size:2.3mm



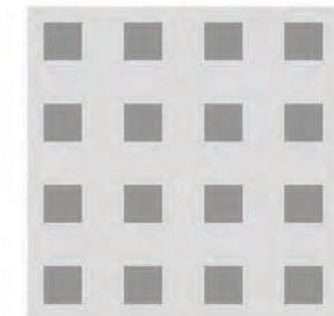
hole size:3.0mm



hole size:5.0mm



hole size:10mm



hole size: 5mm

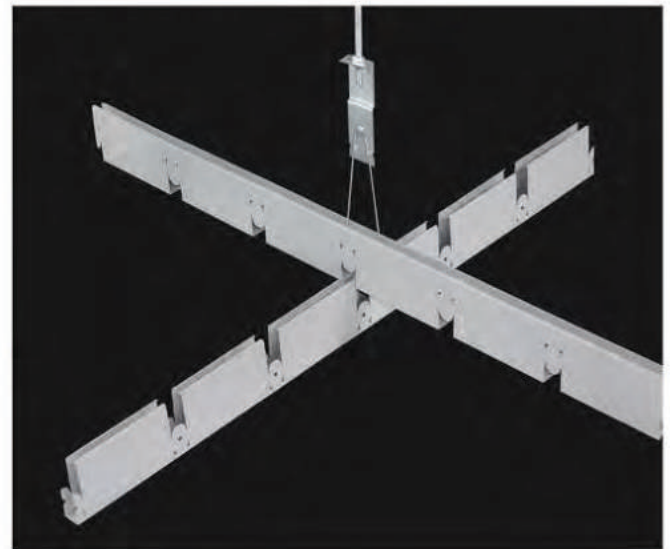
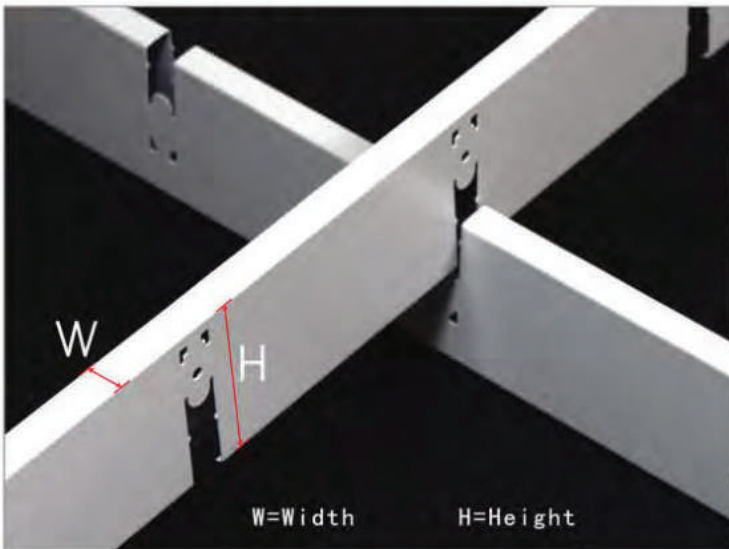


# Open Cell Ceiling

### PRODUCT DESCRIPTION:

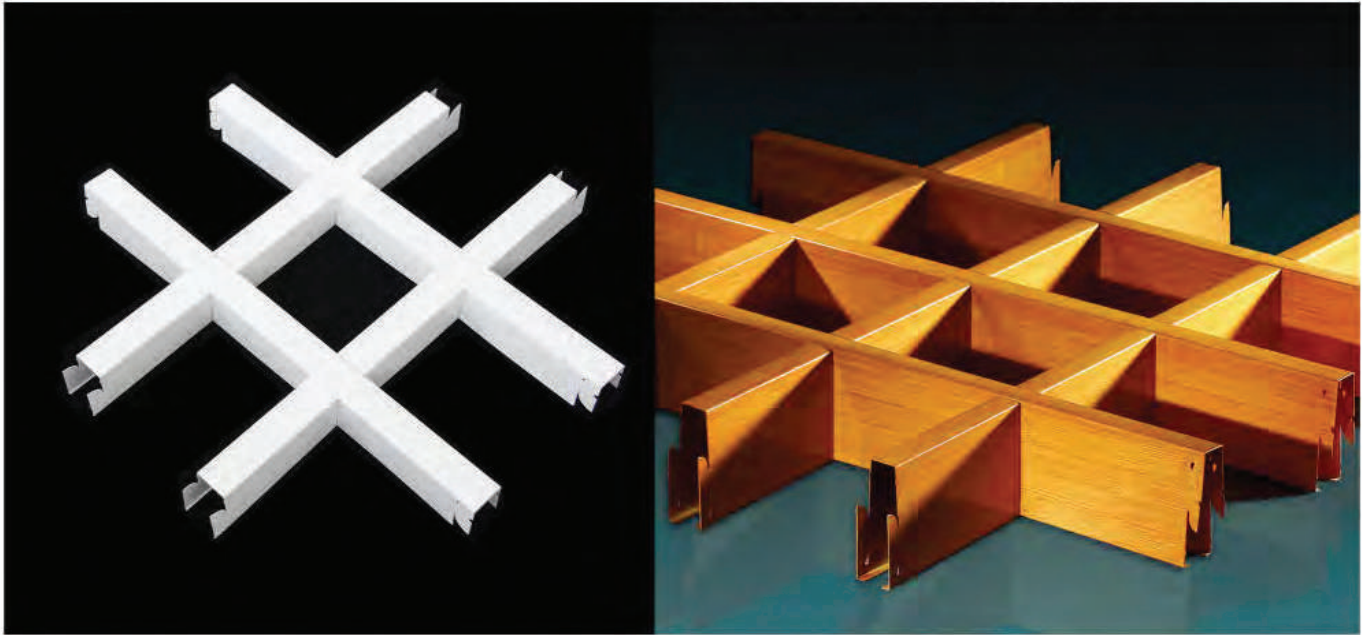
Aluminium Strip Ceiling are made of high quality aluminium and coated with polyester paint. A wide range of standard colors, sizes and finishes are available, offering the designer flexibility for creative and complex designs. It is durable used in interior and exterior area.

**APPLICATION PLACE:** Library, Shopping mall, Airport, Corridor, Other specific areas



### Open Ceiling Specification

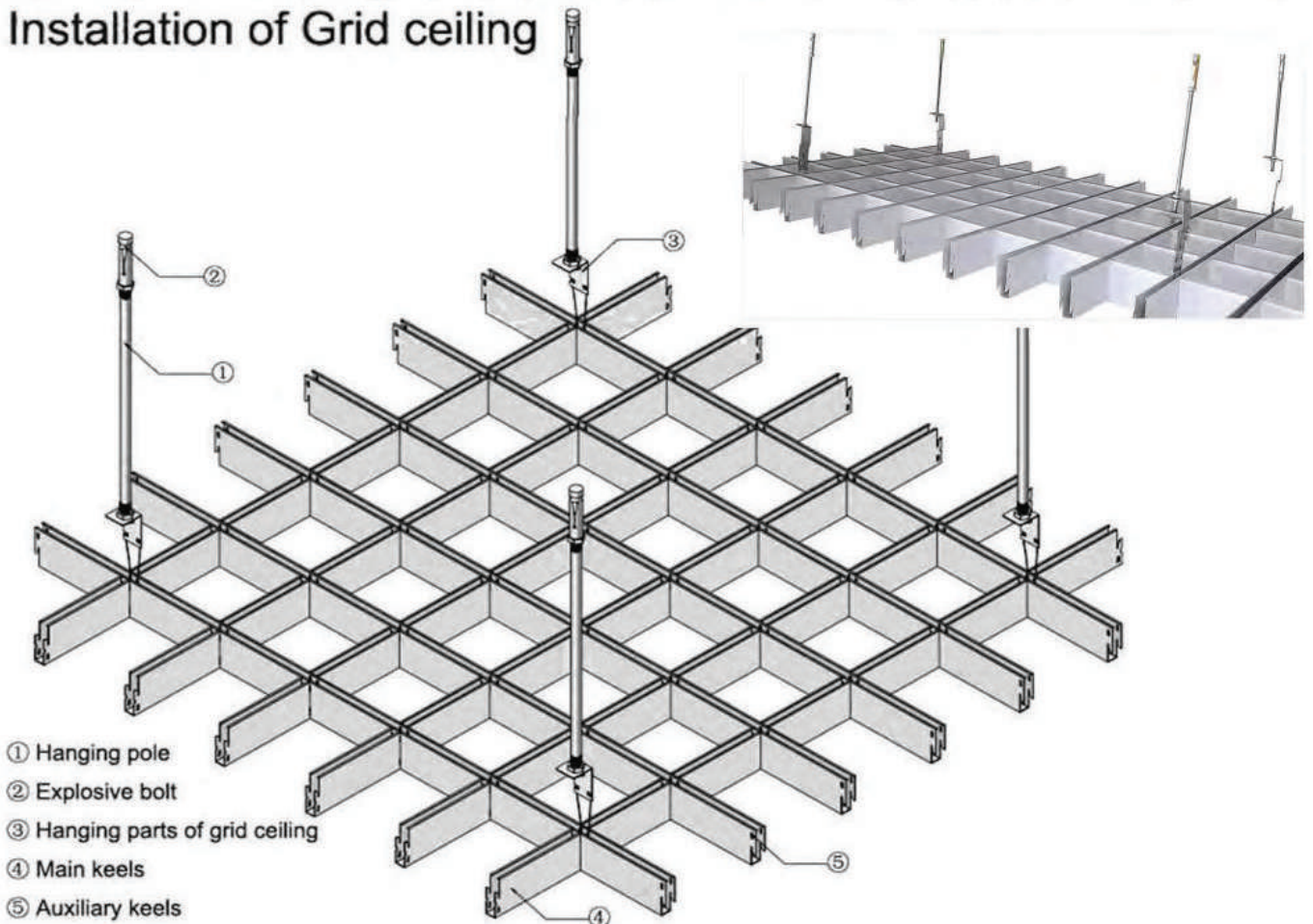
Open Size(mm)	Width & Height		Length(mm)	Thickness(mm)
50x50	W10: H35/40/45/50	W15: H50/60/80	2000	0.35~0.6
75x75	W10: H35/40/45/50	W15: H50/60/80	1950	0.35~0.6
100x100	W10: H35/40/45/50	W15: H50/60/80	2000	0.35~0.6
150x150	W10: H35/40/45/50	W15: H50/60/80	1950	0.35~0.6
200x200	W10: H35/40/45/50	W15: H50/60/80	2000	0.35~0.6

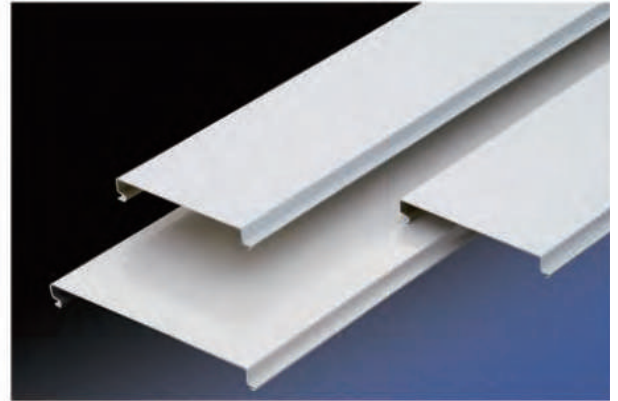


- Open Grid Ceiling contains three parts: main grid bars, cross grid bars and the upper main carrier system. The main and cross grid bars are special hollow metal bars. The grid ceiling is a kind of decorative open ceiling composed of criss crossed main and cross grid bars.

- Open Ceiling is well-ventilated, strongly fireproof, easy to install, exquisite-structured, multi-layered, open, solid, decorative, beautiful,

### Installation of Grid ceiling



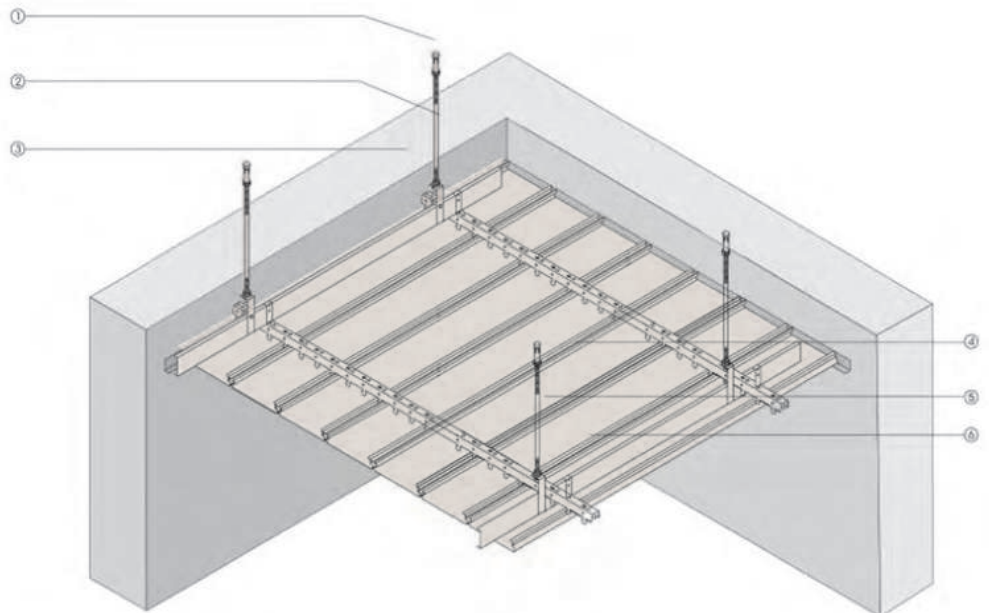


### Product Description

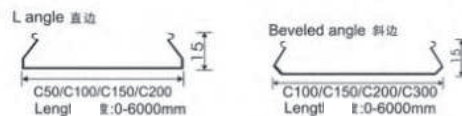
C-Shaped strip elongated strip distribution, board formation, patchwork close, ridge distinct, can achieve a variety of combination of different widths. Used in shopping mall, hotels, office building, senior housing and other large, middle and small architectural decoration.

### Installation diagram

Keel installation method



screw installation method

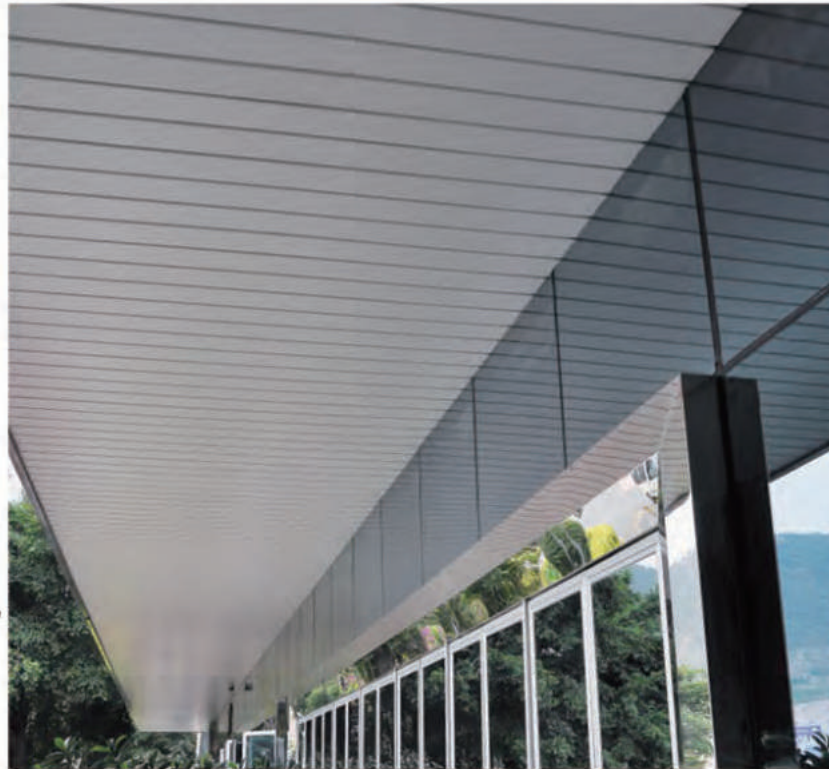


- ① M8 Thread rod
- ② Hanger for Main carrier
- ③ Main carrier
- ④ C-shaped flat strip panel
- ⑤ Hanger for C-shaped strip carrier
- ⑥ C-shaped strip carrier



# METAL CEILING

## S-SHAPED STRIP CEILING



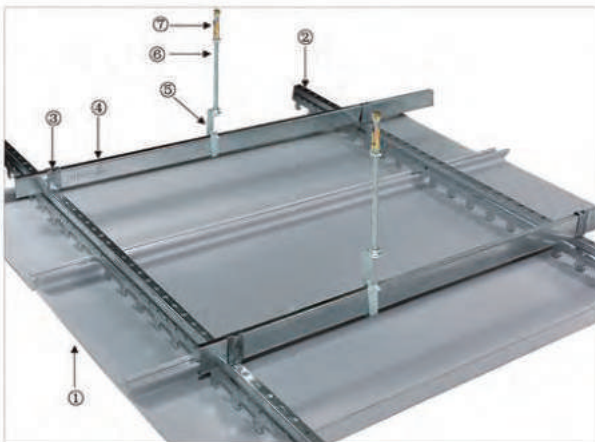
### Product Description

S-shaped strip ceiling is generous and beautiful by strictly science designing. The space get rid of dull with the old panels, fully enjoy fashion of streamline, one the other hand, due to the special wind-resistant design of side face, the smooth and hermetic panel is able to reduce some dust, dirt and energy loss.

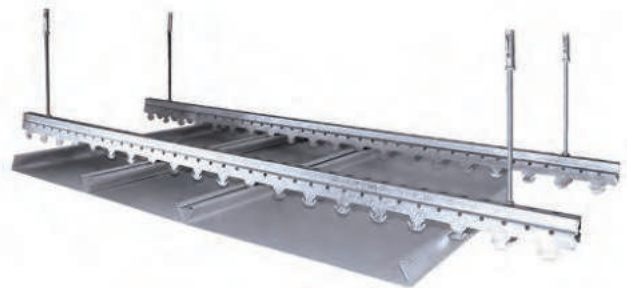
Normally used in corridor, swimming pool, station, airport and outdoor decoration.

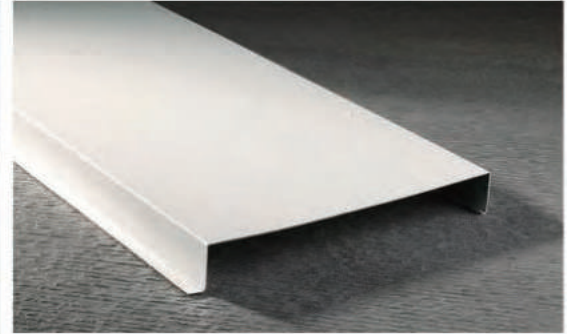
### Installation with main channel

- ① S-strip panel
- ② Carrier
- ③ Hanger
- ④ Main channel
- ⑤ Hanger for main channel
- ⑥ Thread rod
- ⑦ Expansion screw



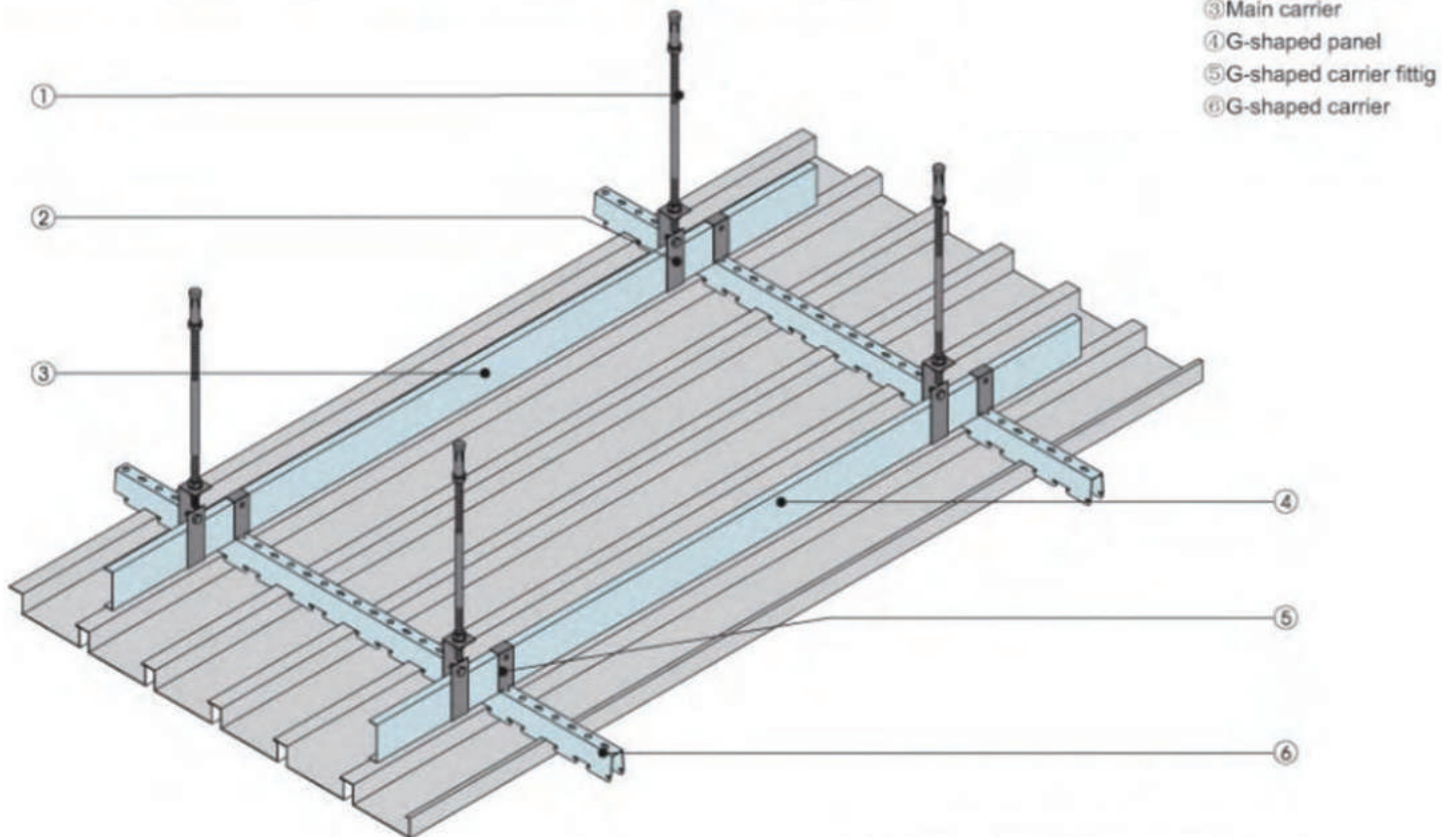
### Direct Installation





### PRODUCT DESCRIPTION:

The G-shaped strip ceiling unlike the traditional ceiling, made of high quality aluminum, precision machining and molding. In the meantime, it offer a rich selection of color, open and generous ceiling to create a beautiful shape and varied color space .

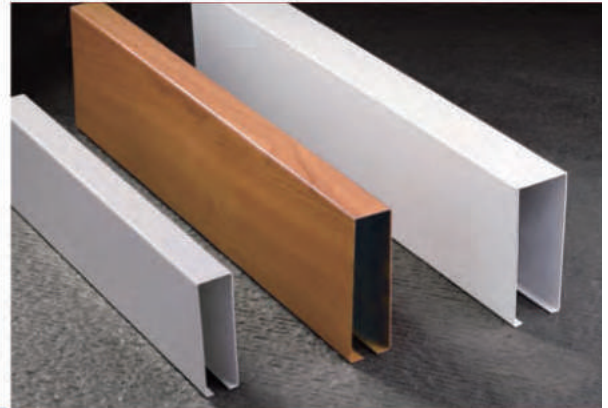


- ① M6 bar
- ② Main carrier fitting
- ③ Main carrier
- ④ G-shaped panel
- ⑤ G-shaped carrier fitting
- ⑥ G-shaped carrier

(W)	100mm	150mm	200mm	300mm
(T)	0.5-1.0mm			
(H)	15mm			
(L)	Maximum length is 6000mm			

# METAL CEILING

## SQUARE TUBE CEILING



### Aluminum Square Tube Ceiling

Product picture

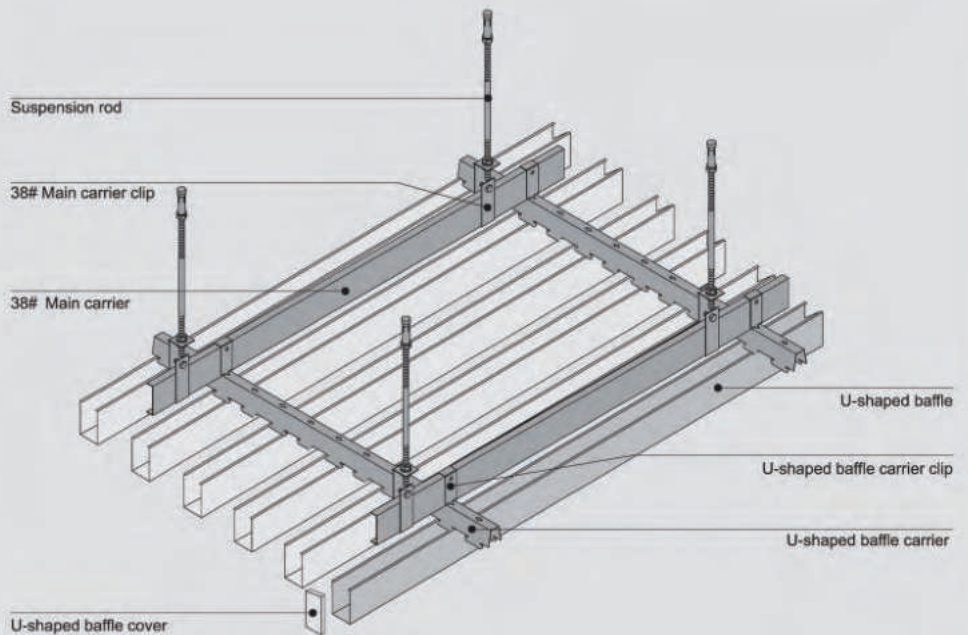
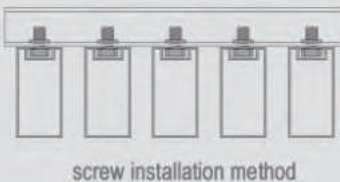
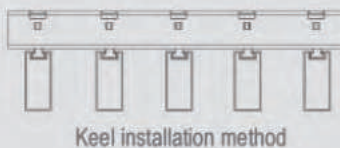
#### Product trait

This is a kind of decorative awning ceiling with lively and uncluttered lines, looked well-arranged and shown simple and clear modern style. It not only has an open vision but also ventilation. Most importantly, it is easy and convenient to erect and disassemble.

#### Regular size

width: 20-80mm height: 30-200mm  
 width: 30mm height: 25-200mm  
 width: 100-200mm height: 20-50mm

### Installation diagram





### APPLICATION

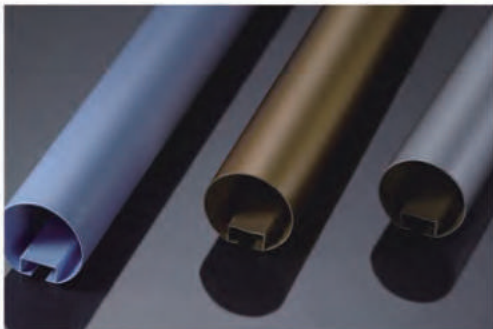
Suitable for Metro ,  
station,  
hospital,  
airport,  
gas station,  
museum and other large buildings.

### PRODUCT DESCRIPTION:

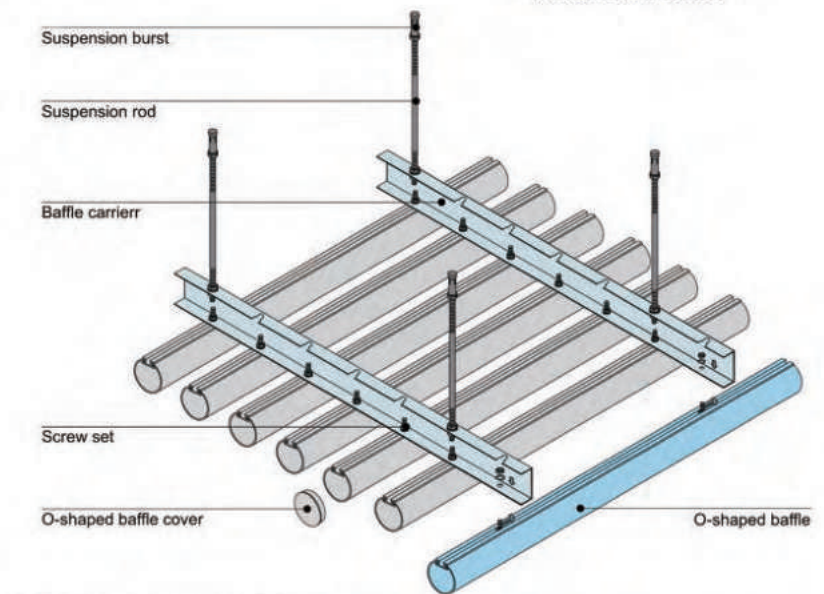
round shaped ceiling is a kind of visible type ceiling, and the visible angle of the installation area can be adjusted, and the pipes and other facilities of the building can be hidden. This kind of ceiling features installation and disassembly and provides adequate space for future maintains.

### PRODUCT SPECIFICATIONS:

- Dimension: Normal Diameter 50 / 60 / 70 mm
- Color: White , Wood and other colors are also available according to clients requirements.

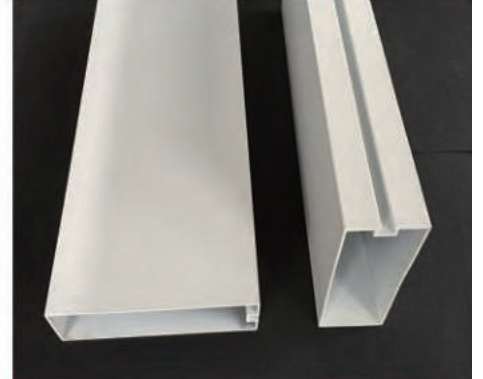


### Installation Chart



O-Shaped baffle ceiling installation diagram

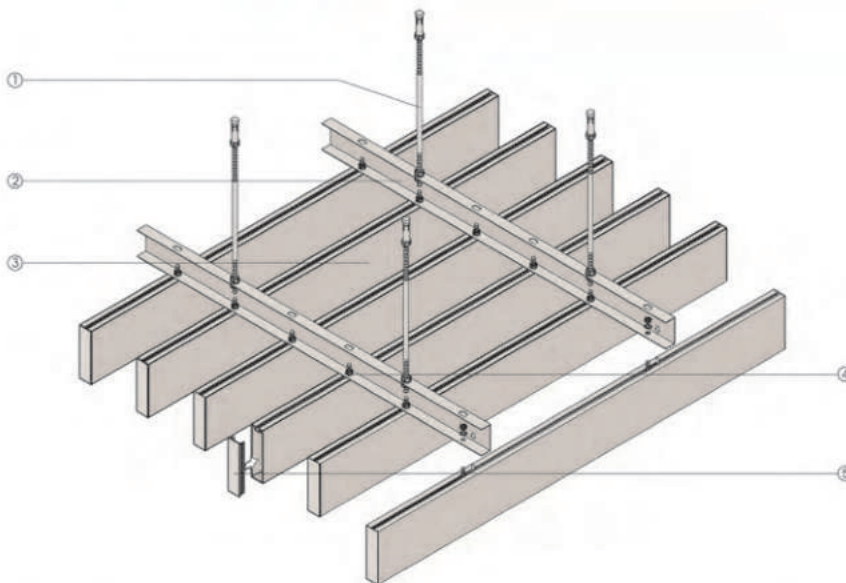
# METAL CEILING PROFILE TUBE CEILING



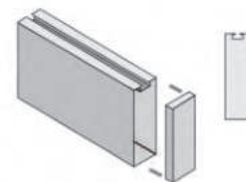
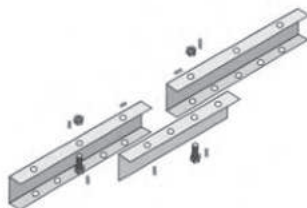
## Aluminum Profile Tube Ceiling

### PRODUCT SPECIFICATION:

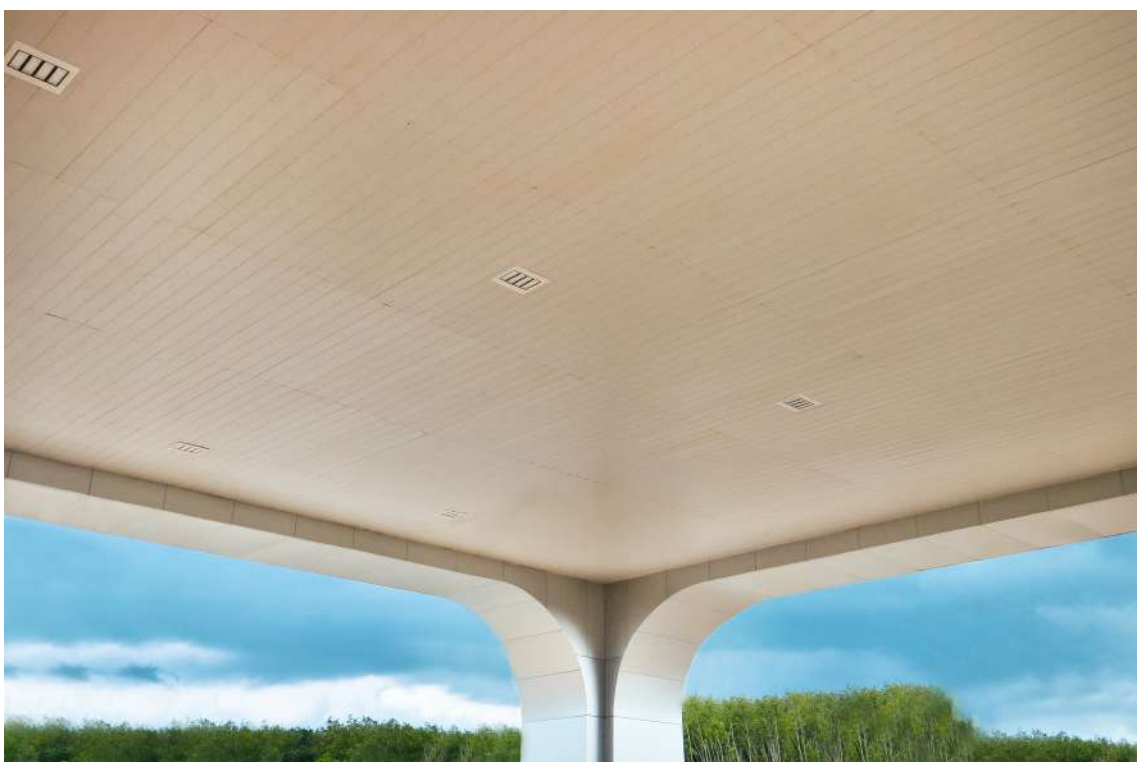
Material:	Good Quality 6003 Aluminum Alloy Plate
Thickness:	0.5-1.5mm
Length:	Maximum 6000mm
Treatment:	Powder Coated Heat Transfer Printing
Installation:	Lift Keel System



- ①M8 Thread rod
- ②C Slot Carrier
- ③Square-Shaped Aluminum Bar
- ④M6 Screw
- ⑤Side Cover



# REFERENCE







## **Inno Viva Company Limited**

**859 Soi Piboon-Upatham,  
Suthisanvinitchai Road,  
Kwaeng Samsennok, Khet Huaykwang,  
Bangkok 10310.**

**Tel: 02-274-9620 Fax: 02-274-9621**

**Email: [admin@inno-viva.com](mailto:admin@inno-viva.com)**

**[www.inno-viva.com](http://www.inno-viva.com)**